

USER MANUAL

(Y-6)



Operation of this ATV by children under the age of 6
increases the risk of severe injury or death
Adult supervision required for children under age 16
NEVER permit children under age 6 to operate this ATV

TABLE OF CONTENTS

	Page
PREFACE.....	3
IMPORTANT NOTICES.....	3
PURPOSE OF USE.....	4
THE ATV SAFETY INSTITUTE’S GOLDEN RULES.....	4
INSTRUCTION FOR ASSEMBLING.....	5
SAFETY TRAINING COURSE.....	8
VIN RECORE.....	9
LOCATION OF WARNING LABELS.....	10
USER MANUAL.....	11
TECHNICAL SPECIFICATIONS.....	12
UNPACKING AND SETTING UP HANDLEBAR.....	13
BEFORE STARTING THE ENGINE.....	14
ENGINE STARTING.....	15
RIDING.....	17
SPARK ARRESTOR.....	18
INSTRUCTION OF ATV’S MAINTAINCE.....	18
PERIODIC MAINTENANCE CHART.....	19
DRIVE CHAIN ADJUSTMENT.....	20
CLUTCH REPLACEMENT.....	21
FRONT / REAR BRAKE REPLACEMENT.....	22
WHEEL REMOVAL.....	22
AIR FILTER CLEANING.....	23
GEARCASE REPLACEMENT.....	23
FRONT AXLE ALIGNMENT.....	23
STORAGE PROCEDURE.....	24
TRANSPORTATION.....	24
TROUBLESHOOTING CHART.....	24
DESCRIPTION.....	25
PARTS LIST.....	26
EMISSION CONTROL SYSTEM WARRANTY.....	27
WARNING LABEL.....	31

PREFACE

Thank you for choosing All Terrain Vehicle .May you enjoy riding all time.

This manual contains the necessary instructions and guidance with respect to the operation and maintenance of the ATV, and **BE SURE TO READ IT CAREFULLY BEFORE YOU RIDE THE ATV; AND BE SURE TO PAY MORE ATTENTION TO THE WARNING WORDS AND INSTRUCTION WHEN RIDING** Illegal operation ATV can result in **SEVERE INJURY or DEATH**. Proper operation and maintenance can guarantee a safe riding to minimize trouble of the ATV and keep it in a sound condition. Which can extend the engine service life.

All rights reserved. No part of this publication may be reproduced without our prior written permission.

IMPORTANT NOTICES

1. This ATV is intended for use by children age Y6+ .
2. This ATV is designed to carry rider only. **NEVER** carry passenger.
3. This ATV is designed for **OFF-ROAD** use.

This ATV is not a toy.

It is important for rider to ride this ATV after finishing the training.

It is important for rider to understand and follow this manual and warning.

It is important to understand and follow the logo to emphasize.

It is important for keep the ATV card and text message.

It is important to ride an ATV that's right for your age.

It is needed to get ATV safety training course from A.S.I before you ride.

PURPOSE OF USE

This ATV is designed to be driven on closed tracks with an even, smooth, and dust free surface. **This product is not designed to be used on public highways.** Both adults and over 6years old children can ride the vehicle (children only under the supervision of an adult / responsible person) .This product is not designed for rough terrain.

ATV is equipped with a single-cylinder. four-stroke, petrol combustion engine with an air fitter and exhaust silencer.The ATV rear axle is equipped with a disk brake , controlled by the brake lever on the left hand side of handle bars.



Safety warning : User must read this manual carefully. Forbid to drive when you don't know well of this ATV. And forbid to lend it to people who don't know this ATV.

THE ATV SAFETY INSTITUTE'S GOLDEN RULES

- Always wear a DOT-compliant helmet, goggles, long sleeves, long pants, over-the-ankle boots, and gloves.
- Never ride on paved roads except to cross when done safely and permitted by law - another vehicle could hit you. ATVs are designed to be operated off-highway.
- Never ride under the influence of alcohol or drugs.
- Never carry a passenger on a single-rider ATV
- Ride an ATV that's right for your age.
- Supervise riders younger than 16; ATVs are not toys.
- Ride only on designated trails and at a safe speed.
- Take a hands-on ATV RiderCourseSM and the free online E-Course.

To learn more about ATV safety call 800.887.2887 or visit www.atvsafety.org

INSTRUCTION FOR ASSEMBLING



WARNING

Set-up and pre-delivery service must be performed by an authorized luyuan dealer. Proper pre-delivery is essential to reliability of the vehicle and to rider safety. An error made by the person setting up and servicing a new vehicle can result in damage to the machine or injury to the rider. Perform all items correctly and completely. Observe all safety precautions and use common sense when assembling this vehicle. Avoid contact with moving parts. Severe personal injury to the person assembling this vehicle or to a bystander could result.



In order to perform service work efficiently and to prevent costly errors.

The technician must thoroughly familiarize him /herself with procedures before beginning. A knowledge of mechanical theory, tool use and shop procedures is necessary to perform the service work safely and satisfactorily.



Watch for sharp edges which can cause personal injury. Protect hands with gloves when working with sharp components.



If difficulty is encountered in removing or installing a component, look to see if a cause for the difficulty can be found. If it is necessary to tap the part into place, use a soft face hammer and tap lightly



Always follow torque specifications as outlined. Incorrect torquing may lead to serious machine damage or can result in injury or death for the rider.



Cleanliness of parts and tools as well as the work area is of primary importance. Dirt and foreign matter will act as an abrasive and cause damage to precision parts.

PLEASE REMEMBER TO VIEW THE ASSEMBLY VIDEO ON LISTING PAGE BEFORE PROCEEDING

1. Open the carton , take out ATV with the iron frame, then remove the iron frame.(Picture 1, 2)



Picture 1



Picture 2

2. Setting up handle bar,plastic protection cover .(Picture 3)

Need tools : 8-10 wrench.

take out aluminum block form the tools bag, set up the handle bar in comfortable position, and tighten the bolts.then attach plastic protection cover onto the handlebars.



Picture 3



Picture 4

3. Setting up front protective frame.(Picture 4)

Need tools : 8-10 ,13-17wrench

4. Setting up the front tyre (Picture 5,6,7,8)

Need tools: 12-14 wrench,13-17 wrench, M8 hexagram

First loosen the nut on the front tyre, and connect to the frame with right direction, then tighten the nut. (Picture 5,6)



Picture 5

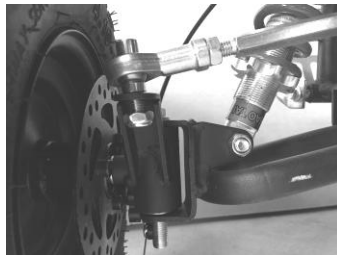


Picture 6

Second, there is a nut and a spacer bush on the steering tie rod , only loosen the nut, then connect it to the frame and tighten it. (the spacer bush will be fixed above the plate , the nut will be under the plate) (Picture 7,8)



Picture 7



Picture 8

5. Setting up the rear tyre (Picture 9,10,11)

Loosen the nut on the rear axle, tear off the tape on the axle, pass through the tyre with right direction , then fasten the nut.



Picture 9



Picture 10



Picture 11

6. Setting up the rear cargo shelf, and finish setting up (Picture 12)



Picture 12

7. Test drive

Fill the fuel tank with gasoline and check the lubrication oil level, then start the pull start to test drive to check.

LUYUAN, INC

YOUTH ATV SAFETY TRAINING COURSE

MINIMUM NUMBER OF REPETITIONS OF RIDING
MANEUVERS FOR FIRST-TIME OPERATORS

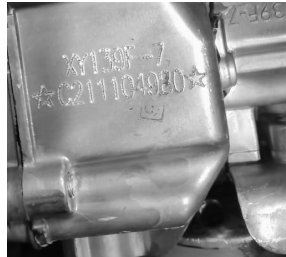
First-time operators are required to perform a minimum number of repetitions of each of the eight driving maneuvers. The person giving the training must demonstrate each maneuver and then have the trainee repeat the following minimum number of repetitions.

- Maneuver # 1-Large oval with stopping and starting practice. Once counterclockwise and then once clockwise.
- Maneuver # 2-Figure 8s .Three times.
- Maneuver # 3-Corners: 90 degrees and less than 90 degrees. Two clockwise and two counter clockwise.
- Maneuver # 4-Slalom. Three times.
- Maneuver # 5-Large oval with panic maneuver. Two times.
- Maneuver # 6-Obstacle riding. Once with left wheels, once with right wheels, and once with both wheels.
- Maneuver # 7-Traversing hill. Once each direction.
- Maneuver # 8-K-turn. One time.

VIN RECORD



Picture 13



Picture 14

VIN NO.: □□□□□□□□□□□□□□□□□□

ENGINE NO.: □□□□□□□□□□□□□□□□□□

Please fill the VIN and engine code of your vehicle in the blank above. They will help order spare parts and find out the vehicle when stolen.

- NOTES: 1. the VIN is stamped on the front pipe under the frame body (picture 13)
2. the engine code is stamped on the right of engine (picture 14)

LOCATION OF WARNING LABELS

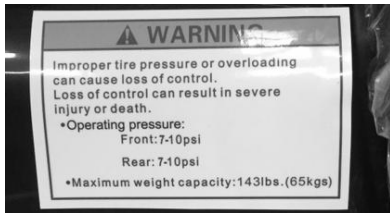
1. General warning: stick on left front fender



2. Age warning label, forbidden children under age 6: stick on right front.



3. Tire pressure or overloading warning label: stick on left rear fender



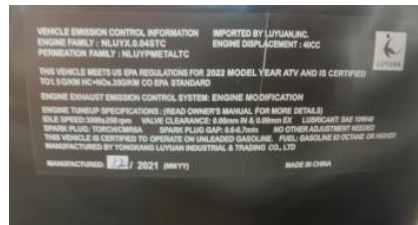
4. Passenger warning label: stick on the rear of seat.



5. Certification label: stick on right rear fender



6. EPA certification label: stick on the engine.



WARNING

User must read and understand the warning labels well.

User must comply with these warning labels and to keep these labels.

If any of these labels are lose or hazily, please ask dealer to get the labels.

USER MANUAL

1. Make sure to check ATV before use , it is important .
2. Make sure to put on safety helmet and some other necessary safeties before driving the ATV, and abide by local highway code.
3. Make sure there is enough gasoline in the fuel tank before driving.Press the engine switch and key,squeeze the oil bubble until there is no air in the oil tubing,move down the choke lever,then lightly tug on the pull-start cord to start,about 30s after starting, move up the choke lever. The choke lever should face up during normal driving.
4. Pls careful to using the throttle control handle. The ATV will run faster when the accelerograph is bigger given .When turning left or right ,pls attention our speed. The right handle control the front disc brake, and the left handle control the rear disc brake. In the left handle, there is a red button, it is emergency shut down switch, used for stopping the ATV. When you pull out the button, the ATV will stop immediately.
5. If you want to stop the engine working ,pls press the red switch “OFF”.
6. In the right handle ,there is limiting-speed device, User can add speed from up to down by adjusting the device.



Warning: user must abide by the local highway code and the safety statute.

ATTENTION

Each purchaser have the opportunity to register for free hands-on ATV training through the ATV Safety Institute (ASI) at the time of purchase.Take an ATV Rider course ; call 800 887 2887 or visit www.atvsafety.org

TECHNICAL SPECIFICATIONS

ITEM	LY-ATV-40J
ENGINE	one cylinder, four-stroke, air-cooled
DISPLACEMENT	40cc
POWER OUTPUT	0.9kw at 6500rpm
TORQUE	1.6Nm at 5000rpm
STARTER SYSTEM	manual-hand pull type
FRAME	welder high strong steel tubes
BRAKE	front and rear disk
FRONT TYPE	4.10-6
REAR TYPE	4.10-6
FUEL TANK CAPACITY	1.0 L
N.W	40 KGS
G.W	51 KGS
MAX WEIGHT	65 KGS
PACKING DIMENSIONS	104.5*62*52cm

UNPACKING AND SETTING UP HANDLEBAR

Your ATV is packed with folded handlebars and brake lever. After unpacking, first take out the aluminum block from the tools bag, then set up the handlebars to a comfortable position and tighten the handlebar bolts. The bolt of brake lever and the throttle grip has been tightened. Do not use an excessive force to tighten these bolts. Over-tightening the bolts may cause damage to the threads or other parts. Verify the smooth and free movement of both control cables (throttle and brake).



Controls:

1. Engine stop switch
2. Emergency shut down switch
3. Brake button
4. Throttle grip

BEFORE STARTING THE ENGINE

Before operating this vehicle, be sure to check the items in the following table:

ITEM	ROUTINE
Fuel	*Check fuel level in fuel tank, and add recommended fuel if necessary * check fuel line for leakage. Correct if necessary
Engine oil	*check oil level in engine, and add recommended oil to specified level if necessary *check ATV for oil leakage. Correct if necessary
Front brake	*check operation, and correct if necessary *lubricate cable if necessary *check lever free play, an adjust if necessary
Rear brake	*check operation, and correct if necessary * lubricate cable if necessary
Throttle lever	*make sure that operation is smooth, and check cable free day *lubricate cable and lever housing if necessary
Wheels and tires	*check wheel condition, and replace if damaged *check tire condition and tread depth. Replace if necessary *check tire pressure, operating pressure 7-10psi
Brake levers	*make sure that operation is smooth. Lubricate lever pivoting points if necessary
Chassis fasteners	*make sure that nuts, bolts and screws are property tightened
Instruments and switches	*check operation, and correct if necessary

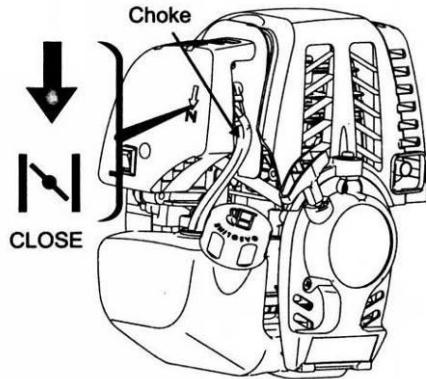
ENGINE STARTING

1. Turn the ON/OFF switch to ON position
2. Turn the choke lever to CLOSE position

Notice

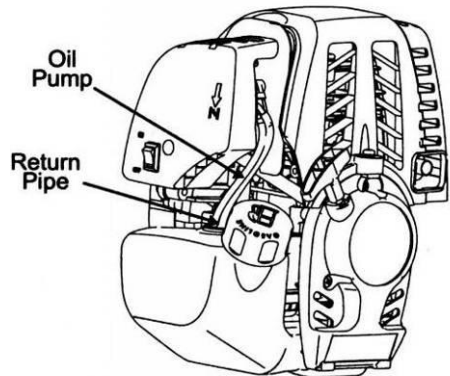
When the engine is hot or the temperature is not cold. Don't need close the choke

- Move the choke lever to CLOSE position. The choke should be closed on a case-specific basis it may help starting in colder environment.



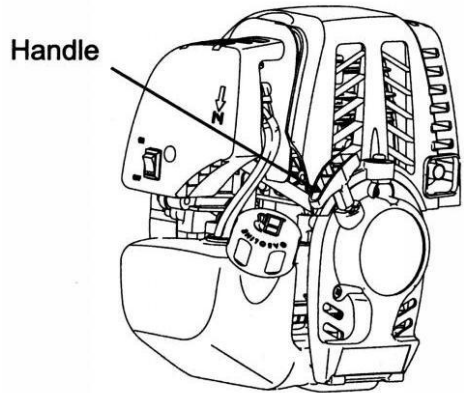
3. press the fuel pump several times until there is no air bubble visible in the fuel line.

- It is not allowed to start or run the engine without the connection of return line of the fuel tank to the carburetor.
- It is not allowed to start or run the engine for a long period without the tank cap closed.



4. Pull the handle of the recoil gently until you feel the resistance and then make a rapidly pull.

- Before the handle is pulled make sure the engine has been vertically erected for at least 3min.
- It is only allowed to start the engine when it is erected vertically and the handle points upwards.
- The air cleaner may see the ejection or spillover of lubricating oil when the engine started by standing on head with the handle pointing downwards. It is normal.



Notice

The handle must be pulled rapidly otherwise the engine can not be started with the weaker spark produced by the spark plug.

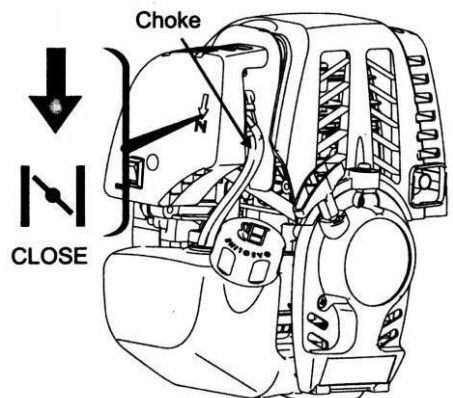
Engine Operation

To give full play to the performance of the engine , it is suggested to take up a 15min run-in for the new product.

1. when the engine is being warmed up, move the choke lever slowly to OPEN position.

- It is not allowed to start or operate the engine without the connection of return line between the carburetor and fuel tank.
- It is not allowed to start or operate the engine for a long period without the tank cap closed.

2. place the throttle to the position form which the desired engine speed can be obtained.



RIDING

Sit on the vehicle , control the throttle and accelerate properly to start moving forward. When riding the ATV, keep in mind the rules applicable to riding four-wheel vehicles (sit on the front part of the seat, do not lean back, try to keep the load of your body as forward as possible). Reduce speed accordingly when going around corners. When braking always reduce the throttle to the idle position whilst pressing the front or rear brake lever with the necessary force to stop the ATV. Turning the engine off with the red switch (engine stop switch) on the handle bars.

It is necessary to check the tightness of bolts and nuts, including the engine and the brake settings, before and after every use.

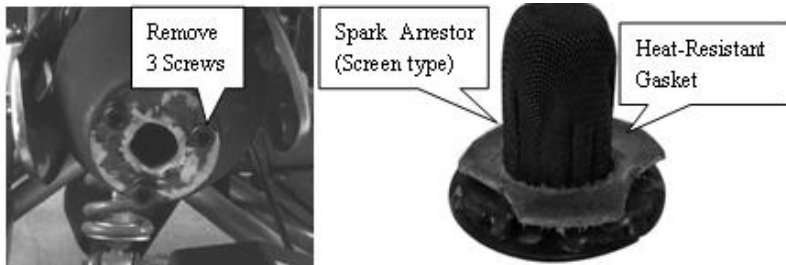


Always ride within the limits of vehicle/rider and weather condition to avoid unnecessary accidents and injuries.

SPARK ARRESTOR

The spark arrestor must be cleaned for every 50 hours of use to ensure the proper performance. If not cleaned on a regular basis, the carbon build-up of cinders can begin to block your vehicle's exhaust flow and slow down your vehicle.

- Turn off the engine and cool off to prevent possible injury from burns.
- Remove the 3 screws from the back of the exhaust assembly.
- Carefully removing the heat resistant gasket from the spark arrestor without damaging so it can be used again.
- Cleaned the screen with detergent, water or wire brush, then let it dry.
- Remove all of the carbon and cinders still inside the exhaust chamber using a small towel or small vacuum.
- Make sure the heat-proof gasket seals properly and re-install spark arrestor.



INSTRUCTION OF ATV'S MAINTAINCE

ATV need to be maintained after a period time of using. Because some part of ATV will be rust, fray, distortion, loosing. And these change will reduce the safety, economic, flexible of ATV. So to keep it is clear, safety, using longer, reduce its using charge, we have to do the following ways:

1. Clear all of the part
2. Renew and replace the dirty fuel and the worned parts
3. To inspect every parts, according to the instruction and the technical information
4. If you find any problem, pls amend them immediately
5. To keep the ATV safe, we suggest you lock it when you don't ride it.

PERIODIC MAINTENANCE CHART

perform all services at whichever maintenance interval is reached first

maintenance interval		Every time using	First month or 10 hours	Total 3 month or 25 hours	Total 6 month or 50 hours	Total one year or 100 hours	Total 2 years or 300 hours
Engine oil	Check oil level	○					
	change		○				
air filter	Check	○					
	clean			○ ①			
Spark plug	Check adjustment					○	
	Change						○
Spark arrestor	clean					○	
Idle speed	Check adjustment					○ ②	
radiator	Check clean				○		
Ignition Timing	Check	300 hour ②					
Nut, bolts	Check fastening	○					
valve clearance	Check adjustment				○ ②		
Fuel filter	Check					○	
Tire pressure	Check	○	The normal pressure is 69kpa .				
chain	Check	After every 100km riding, it is necessary to lubricate the chain by special oil for the sprocket.					
Brake pads	Check adjustment	it is necessary to change the seriously attrite brake pads to ensure the performance of braking..					

① If using the dust, need regular maintenance and replace felt.

② Unless the user has the appropriate tools and the maintenance ability, these items will be maintained need by dealers.



Check -up

Shut the engine off when performing maintenance check-ups

Otherwise you could be severely injured if your hands and clothing get caught by moving parts

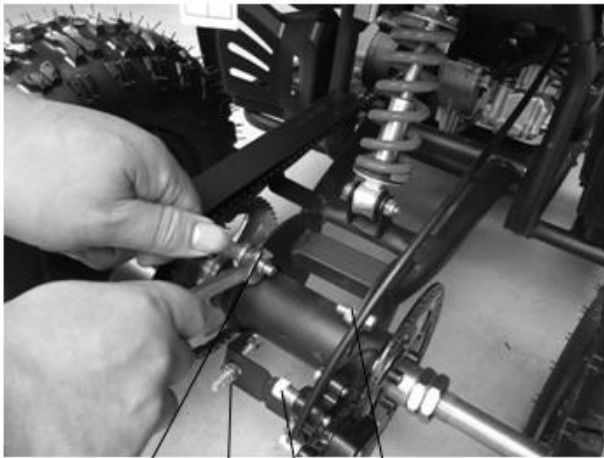


Make sure the engine and exhaust are cold before performing any inspection of this machine.

DRIVE CHAIN ADJUSTMENT

Loosen the No. 1 and No. 4 bolts on the rear axle carrier , and adjustment No.2 and No.3 bolts in comfortable position, then tighten No.1 and No.4 bolts for tensioning the chain. the driven chain should be 5mm (0.2 in) marking sure not to over tighten the chain.

It is important to lubricate the chain regularly to avoid excess wear. This will prolong the lifetime of the chain. It is important to lubricate the chain after every ride and especially in wet conditions. It is recommended to use a quality chain lubricant. If the chain needs replacement, then please also check the front and rear sprockets for wear, replace accordingly.



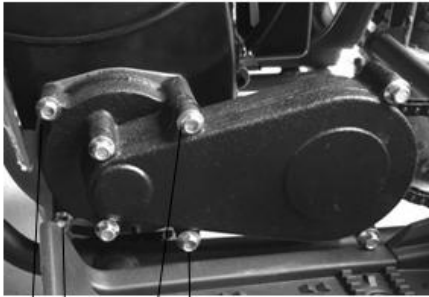
No. 1 No. 2 No. 3 No. 4



Riding with a chain in poor condition or improperly adjusted can lead to serious injury. Always, inspect, adjust and maintain the drive chain properly before each ride.

CLUTCH REPLACEMENT

Remove the chain cover, release the chain and dismantle it .Loosen the four screws holding gear case. Release the engine brace on the frame, and move to one side. Loosen the bolt of position A. the clutch will be broken away. Replace new clutch and install it . Then reverse the sequence as described, and readjust the tension of the drive chain.



loosen 4pcs screws



clutch pad A

FRONT / REAR BRAKE REPLACEMENT



No. 1 No. 2 No. 3

Loosen the nut No.2, remove the brake line, loosen No.1 and No.3, remove the old disc brake, replace the new disc brake, tighten nut No. 1 and No.3, insert the brake line, then tighten the nut No.2.



Failure to inspect and properly maintain the brake increases the risk of having an accident. Before each ride check the rear brake cable and the brake efficiency. Riding with worn brake pads reduce the braking performance and cause an accident. Check and replace brake pads.

WHEEL REMOVAL

Screw off the front/rear axle nut and pull off the wheel. Then reinstall the wheel according to the instructions on pages 6 and 7 , must be tighten the axle nut securely.



Using worn, improperly inflated or incorrect tyres will reduce stability and can cause an accident.

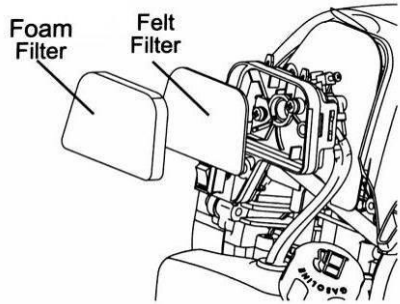
AIR FILTER CLEARING

Never run the engine without air filter as it will worsen engine wear.

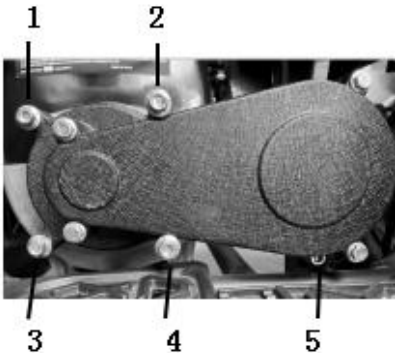
Inspect the air filter for dust and dirt buildups.

Check if bolts and nuts are loosened; if so, screw them up correctly.

Mount the felt filter and foam filter one by one, and close the cleaner cover



GEARCASE REPLACEMENT



Loosen 5pcs screws, remove the old gearcase, replace the new and tighten 5pcs screws.

FRONT AXLE ALIGNMENT

Front axle alignment is performed by adjusting the steering tie rod length.

Loosen the nuts and dismantle the steering joint at both front wheels. Loosen the steering tie rod safety nut and by screwing the tie rod end in or out, adjust the length accordingly. Then toe-in angle of the front wheels should be between 0° and 1° .

STORAGE PROCEDURE

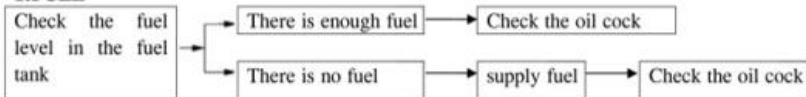
If the vehicle is to be left unused for a period of time, it is recommended to drain out all the fuel from the fuel tank and carburetor. Inflate the tyres to the normal working pressure. Remove the spark plug, clean it, put a few drops of motor oil into the cylinder, pull the starter rope 2-3 times, so an oil film evenly coats the cylinder walls and piston.

TRANSPORTATION

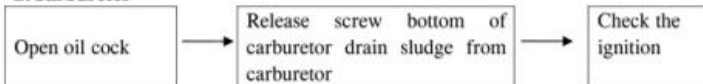
If you need to transport it, you must fix it at four side, make sure it can't move

TROUBLESHOOTING CHART

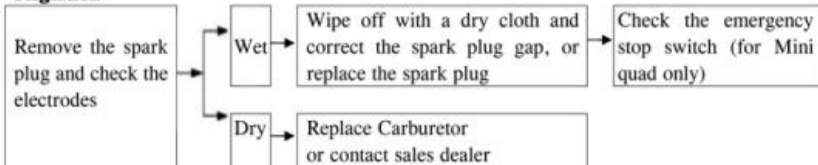
1.FUEL



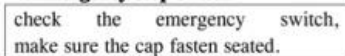
2.Carburetor



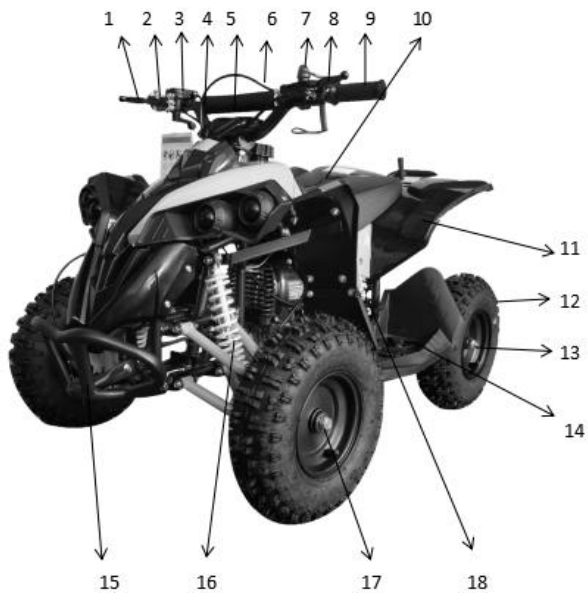
3.Ignition



4.Emergency stop switch



DESCRIPTION



PARTS LIST

ITEM NO.	NAME	ITEM NO.	NAME
1	Brake handle	15	Front protective frame
2	Brake button	16	Front damping
3	Throttle device	17	Front axle
4	Throttle line	18	Gear box
5	Cloth	19	Throttle grip
6	Rear brake line	20	Plastic protection cover
7	Emergency shut down switch	21	Fuel tank
8	Engine kill stop switch	22	KEY
9	Left handle	23	Steering tie rod
10	Seat cushion	24	Pull start
11	Body plastic	25	Engine
12	Rear wheel	26	Chain cover
13	Rear axle	27	Chain wheel
14	Pedal plastic	28	Rear disc brake

LUYUAN,INC-EMISSION CONTROL SYSTEM WARRANTY STATEMENT

YOUR WARRANTY RIGHTS AND OBLIGATIONS

The U.S. Environmental Protection Agency, and LUYUAN, INC (hereinafter "LUY") are pleased to explain the emission control system warranty on 2018 ATV, the ATVs must be designed, built and equipped to meet U.S. EPA emission standards. LUY must warrant the emission control system on your vehicle for 30 months or 5,000 km, whichever comes first, provided that there has been no abuse, neglect or improper maintenance of your vehicle.

Your emission control system may include parts such as the carburetor or fuel injection system, the ignition system, catalytic converter and engine computer, if it is equipped. Also included may be hoses, belts, connectors and other emission-related assemblies.

Where a warrantable condition exists, LUY will repair your vehicle at no cost to you, including diagnosis, parts and labor.

If an emission-related part on your vehicle is defective, the part will be repaired or replaced by LUY. This is your emission control system DEFECTS WARRANTY.

NOTICE! Use of any LUYUAN vehicle in any type of competitive event completely and absolutely voids this and all other warranties offered by LUY.

OWNER'S WARRANTY RESPONSIBILITIES

As the vehicle owner, you are responsible for the performance of the required maintenance listed in your owner's manual. LUY recommends that you retain all receipts covering maintenance on your vehicle, but LUY cannot deny warranty solely for the lack of receipts or for your failure to ensure the performance of all scheduled maintenance.

You are responsible for presenting your vehicle to the LUY dealers as soon as a problem exists. The warranty repairs should be completed in a reasonable amount of time, not to exceed 30 days. As the vehicle owner, you should be aware that LUY may deny your warranty coverage if your vehicle or a part has failed due to abuse, neglect, improper maintenance or unapproved modifications.

If you use your vehicle in any type of competitive event, this warranty is immediately and completely void.

If you have any questions regarding your warranty rights and responsibilities, you should contact LUYUAN,INC at 19295 EAST WALNUT DR. NORTH # E CITY OF INDUSTRY, CA 91748,

LUYUAN,INC- Emission Control System Warranty Statement 2

LUYUAN,INC- Limited Warranty on Emission Control

System LUY warrants that each new 2018 and later LUYUAN ATV

- A. is designed, built and equipped so as to conform at the time of initial retail purchase with all applicable regulations of the United States Environmental Protection Agency; and
- B. is free from defects in material and workmanship which cause such vehicle to fail to conform with applicable regulations of the United States Environmental Protection Agency for the periods specified above.
- I. **Coverage.** Warranty defects shall be remedied during customary business hours at any authorized LUY dealers located within the United States of America in compliance with the Clean Air Act and applicable regulations of the United States Environmental Protection Agency. Any part or parts replaced under this warranty shall become the property of LUY.
- II. **Limitations** This Emission Control System Warranty shall not cover any of the following:
 - A. Repair or replacement as a result of
 - (1) accident,
 - (2) misuse,
 - (3) repairs improperly performed or replacements improperly installed,
 - (4) use of replacement parts or accessories not conforming to LUYUAN,INC's specifications which adversely affect performance and/or
 - (5) use in competitive racing or related events.
 - B. Inspections, replacement of parts and other services and adjustments required for required maintenance.
 - C. Any vehicle equipped with an odometer or hour meter on which the odometer mileage or hour meter reading has been changed so that actual mileage cannot be readily determined.
- III. **Limited Liability**
 - A. The liability of LUY under this Emission Control System Warranty is limited solely to the remedying of defects in material or workmanship by an authorized LUY dealers at its place of business during customary business hours. This warranty does not cover inconvenience or loss of use of the vehicle or transportation of the vehicle to or from the LUYUAN INC's dealers. LUY SHALL NOT BE LIABLE FOR ANY OTHER EXPENSES, LOSS OR DAMAGE, WHETHER DIRECT, INCIDENTAL, CONSEQUENTIAL OR EXEMPLARY ARISING IN CONNECTION WITH THE SALE OR USE OF OR INABILITY TO USE THE LUYUAN

LUYUAN,INC- Emission Control System Warranty Statement 3

VEHICLE FOR ANY PURPOSE. SOME STATES DO NOT ALLOW THE EXCLUSION OR LIMITATION OF ANY INCIDENTAL OR CONSEQUENTIAL DAMAGES, SO THE ABOVE LIMITATIONS MAY NOT APPLY TO YOU.

- B. NO EXPRESS EMISSION CONTROL SYSTEM WARRANTY IS GIVEN BY LUY EXCEPT AS SPECIFICALLY SET FORTH HEREIN. ANY EMISSION CONTROL SYSTEM WARRANTY IMPLIED BY LAW, INCLUDING ANY WARRANTY OF MECHANICALITY OR FITNESS FOR A PARTICULAR PURPOSE, IS LIMITED TO THE EXPRESS EMISSION CONTROL SYSTEM WARRANTY TERMS STATED IN THIS WARRANTY. THE FOREGOING STATEMENTS OF WARRANTY ARE EXCLUSIVE AND IN LIEU OF ALL OTHER REMEDIES. SOME STATES DO NOT ALLOW LIMITATIONS ON HOW LONG AN IMPLIED WARRANTY LASTS SO THE ABOVE LIMITATIONS MAY NOT APPLY TO YOU.
- C. No dealer is authorized to modify this LUY Limited Emission Control System Warranty.

IV. LEGAL RIGHTS. THIS WARRANTY GIVES YOU SPECIFIC LEGAL RIGHTS, AND YOU MAY ALSO HAVE OTHER RIGHTS WHICH VARY FROM STATE TO STATE.

V. THIS EMISSION CONTROL SYSTEM WARRANTY IS IN ADDITION TO THE LUY STANDARD LIMITED WARRANTY FOR ALL ATVs.

VI. ADDITIONAL INFORMATION. Any replacement part that is equivalent in performance and durability may be used in the performance of any maintenance or repairs. However, LUY is not liable for these parts. The owner is responsible for the performance of all required maintenance. Such maintenance may be performed at a service establishment or by any individual. The warranty period begins on the date the motorcycle is delivered to an ultimate purchaser.

LUYUAN,INC

Address: 19295 EAST WALNUT DR. NORTH # E CITY OF INDUSTRY, CA 91748

PRODUCT WARRANTY

Thank you for purchasing our product.

To assure the highest level of service, please carefully read used manual and keep it after you had purchased the product.

Note:

Please finished all information on table of maintain card which must be authorized by the dealer. If you don't have invoice or copy of invoice that the warranty period will be run date of production.

Product warranty period: 3 months from the date of delivery. These items and conditions which excluded specifically:

- 1, Damage caused by accidents, misuse, negligence, improper vehicle operation.
- 2, Any modification or alteration to any standard specifications or equipment.
- 3, Any repairs made by an unauthorized dealer or service firm,
- 4, Use of no genuine parts for repairs or alteration to standard specifications.
- 5, Damage which occurs as a result of improper storage.

The following normal wear parts are specifically excluded from warranty coverage:

- 1, Plastic body
- 2, Tire
- 3, Chain
- 4, Brake disc
- 5, Brake pad

TABLE OF MAINTAIN CARD

User name			
Date of purchase		Tel	
Address			
Dealer		Item name	
Item model		Signature	
Vin No.		Engine No.	

WARNING

Improper ATV use can result in SEVERE INJURY or DEATH.



**ALWAYS USE
AN APPROVED
HELMET AND
PROTECTIVE
GEAR**



**NEVER USE
ON PUBLIC
ROADS**



**NEVER CARRY
PASSENGERS**



**NEVER USE
WITH DRUGS
OR ALCOHOL**

NEVER operate:

- without proper training or instruction.
- at speeds too fast for your skills or the conditions.
- on public roads-a collision can occur with an other vehicle.
- with a passenger-passengers affect balance and steering and increase risk of losing control.

ALWAYS :

- use proper riding techniques to avoid vehicle overturns on hills and rough terrain and in turns.
- avoid paved surfaces-pavement may seriously affect handling and control.

**LOCATE AND READ OWNER'S MANUAL.
FOLLOW ALL INSTRUCTIONS AND WARNINGS.**